

Not sure when to change your filter? Give us a call!

CANADA: **1-800-408-5314**

EMAIL: CUSTOMERSERVICE@HOMEWATER.COM

USA: **1-855-464-9736**

WEB: HOMEWATER.COM



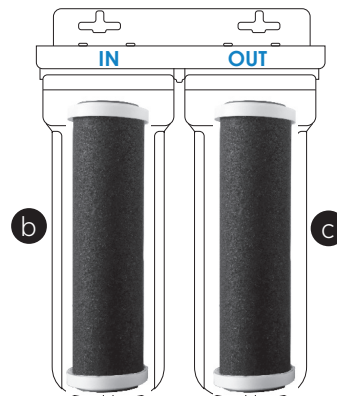
b CHLORINE - HEAVY METAL FILTER

Catalytic carbon cartridge for EZChange Drinking Water System removes chlorine and heavy metals from your tap water. This cartridge should be replaced every six months.



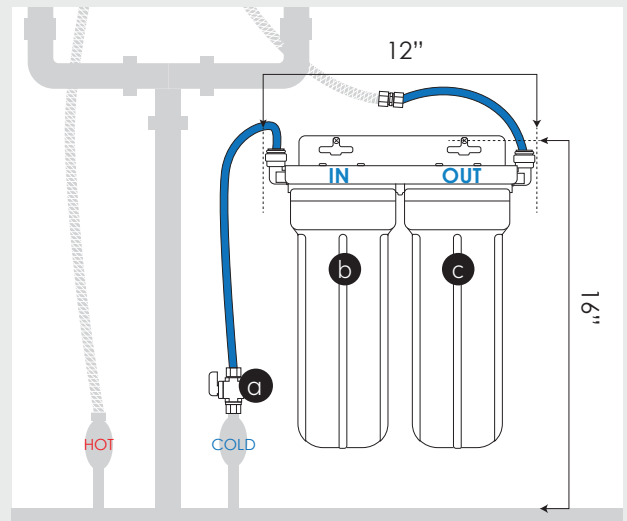
c CHLORINE - VOC FILTER

Catalytic carbon cartridge for EZChange Drinking Water System removes chlorine and VOCs from your tap water. This cartridge should be replaced every six months.



FILTER REPLACEMENT STEPS

- 1 Locate and turn filter valve **a** 90 degrees to "off" position.
- 2 Relieve water pressure by letting the tap run for 15 seconds.
- 3 Place a towel/tray underneath the filtration system.
- 4 Unscrew cartridge **b** and cartridge **c**.
- 5 Pull out the old filters (do not dump it out).
- 6 Put in the new filters and screw both cartridges **b** **c** on tightly.
- 7 Slowly open the entry valve **a** making sure both cartridges **b** **c** are connected well.



MOVING SOON?

If you are moving or selling your home we have options for the transfer of your water filtration services.

Call customer service to arrange the transfer.